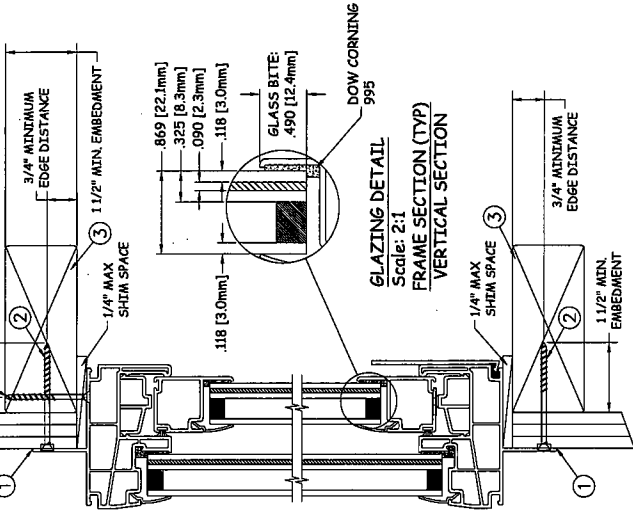
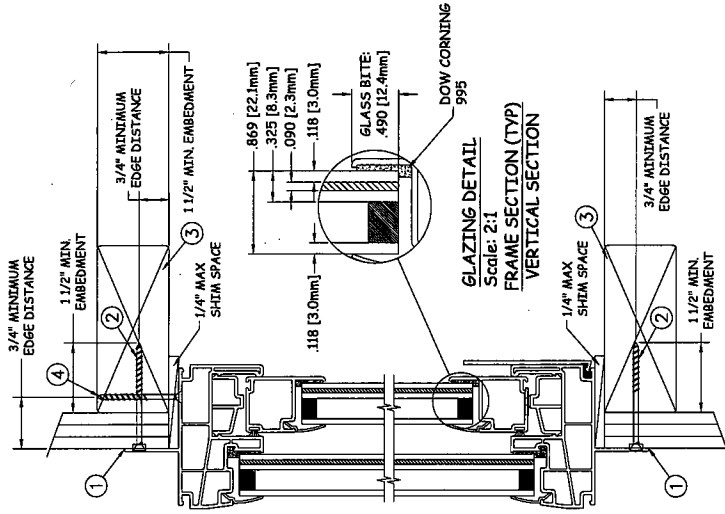


NAIL FIN INSTALLATION

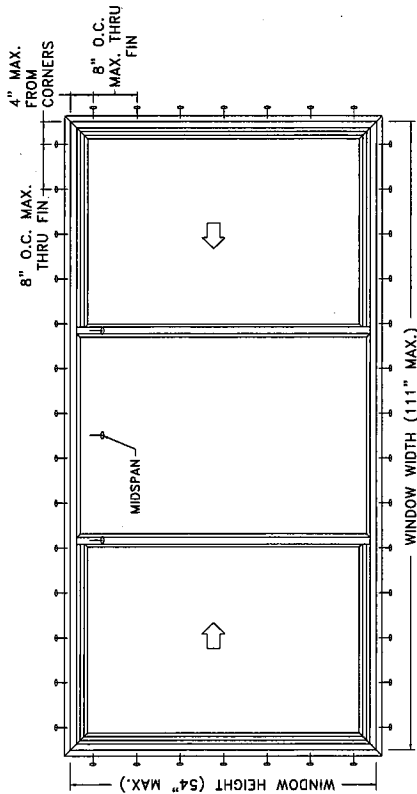


JAMB SECTION (TYP)
HORIZONTAL SECTION

Max Frame	DP RATING IMPACT
111" x 54"	+50/-55
	YES



GLAZING DETAIL
Scale: 2:1
FRAME SECTION (TYP)
VERTICAL SECTION



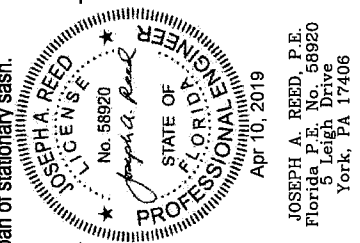
TYPICAL ELEVATION WITH FASTENER SPACING

Installation Notes:

1. Seal flange/frame to substrate. Sill shall be set on a continuous serpentine bead of structural grade silicone caulk when no fastener is used to anchor the sill (typical).
2. Use #10 PH or #12 PH fastener through the nail fin with sufficient length to penetrate a minimum of 1 1/2" into the wood framing. For 2X wood frame substrate (min. S.G. = 0.42).
3. Host structure (wood buck, masonry, steel) to be designed and anchored to properly transfer all loads to the structure. The host structure is the responsibility of the architect or engineer of record for the project of installation.
4. Use 3 - #10 PH or #12 PH fastener through the head jamb with sufficient length to penetrate a minimum of 1 1/2" into the wood framing. One each at meeting stile and one at midspan of stationary sash.

General Notes:

1. The product shown herein is designed, tested and manufactured to comply with the wind load criteria of the adopted International Building Code(IBC), the International Residential Code(IRC), the Florida Building Code(FBC) including HVFZ and the industry requirement for the stated conditions.
2. All glazing shall conform to ASTM E1300.
3. At minimum, glazing shall be 3.0mm tempered - 10.8mm airspace - 3.0mm annealed - 2.3mm PVB Interlayer by Kuraray - 3.0mm annealed.
4. Use structural or composite shims where required.



JOSEPH A. REED, P.E.
Florida, P.E. No. 58920
5 Leigh Drive
York, PA 17406

DATE:	04/09/2019
SCALE:	NTS
TITLE:	
DRAWN BY:	J.HAWKINS
CHECKED BY:	D.BELAU
APPROVED BY:	J.GOOSSEN
RECORD NO.:	D009346
REPORT NO.:	NCTL 210-4010-01

JELDWEN
3737 Lakeport Blvd
Klamath Falls, OR. 97601
Phone: (800) 535-3936

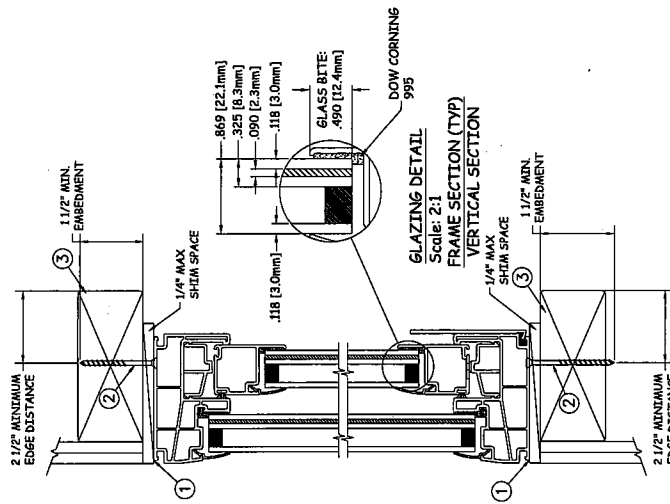
Premium Atlantic Vinyl Impact Horizontal Slider

CAD DWG. No.: PremATL/VinylHS Cert
REV: A
SHEET 1 OF 4

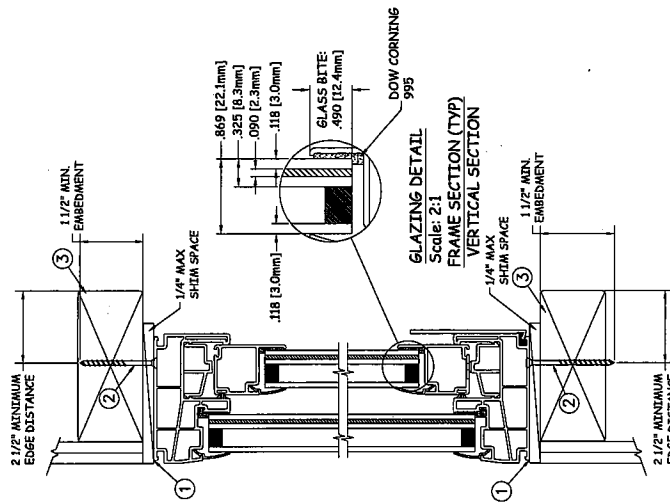
This schedule addresses only the fasteners required to anchor the unit to achieve the rated design pressure and impact performance (where applicable) up to the size limitations noted. It is not intended as a guide to the installation process and does not address the sealing consideration that may arise in different wall conditions. For the complete installation procedure, see the instructions packaged with the unit or go to www.jeld-wen.com.

DISCLAIMER:
This drawing and its contents are confidential and are not to be reproduced or copied in whole or in part or used or disclosed to others except as authorized by JELD-WEN Inc.

THROUGH FRAME
INSTALLATION



TYPICAL ELEVATION WITH FASTENER SPACING



JAMB SECTION (TYP)
HORIZONTAL SECTION

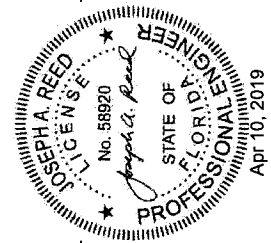
Max Frame	DP RATING IMPACT
111" x 54"	+50/-55
	YES

Installation Notes:

1. Seal flange/frame to substrate. Sill shall be set on a continuous serpentine bead of structural grade silicone caulk when no fastener is used to anchor the sill (typical).
2. Use #10 PH or #12 PH fastener through the jamb with sufficient length to penetrate a minimum of 1 1/2" into the wood framing. For 2X wood frame substrate (min. S.G. = 0.42).
3. Host structure (wood buck, masonry, steel) to be designed and anchored to properly transfer all loads to the structure. The host structure is the responsibility of the architect or engineer of record for the project of installation.

General Notes:

1. The product shown herein is designed, tested and manufactured to comply with the wind load criteria of the adopted International Building Code(IBC), the International Residential Code(IRC), the Florida Building Code(FBC) including HVHZ and the industry requirement for the stated conditions.
2. All glazing shall conform to ASTM E1300.
3. At minimum, glazing shall be 3.0mm tempered - 10.8mm airspace - 3.0mm annealed - 2.3mm PVB interlayer by Kuraray - 3.0mm annealed.
4. Use structural or composite shims where required.



JOSEPH A. REED, P.E.
Florida, P.E. No. 58920
5 Leigh Drive
York, PA 17406

DATE:	04/09/2019
SCALE:	NTS
TITLE:	
DRAWN BY:	J.HAWKINS
CHECKED BY:	D.BELAU
APPROVED BY:	J.GOOSEN
RECORD NO.:	D009346
REPORT NO.:	NCTL 210-4010-01

JELDWEN
3737 Lakeport Blvd
Klamath Falls, OR. 97601
Phone: (800) 535-3936

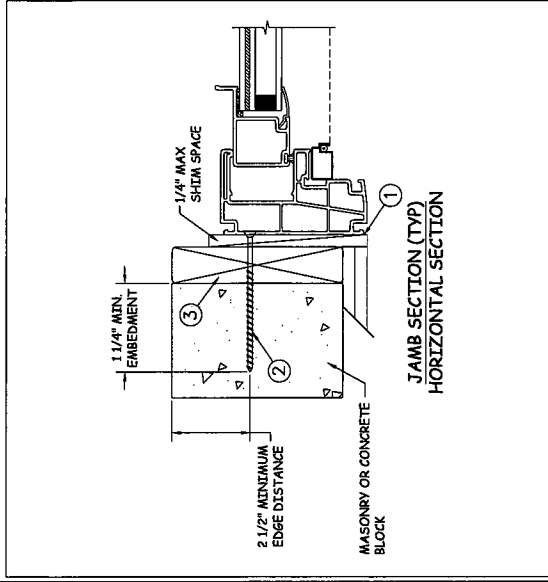
Premium Atlantic Vinyl Impact Horizontal Slider

CAD DWG. No.:	PrepATLVinylHS Cert
REV:	A
SHEET	2 OF 4

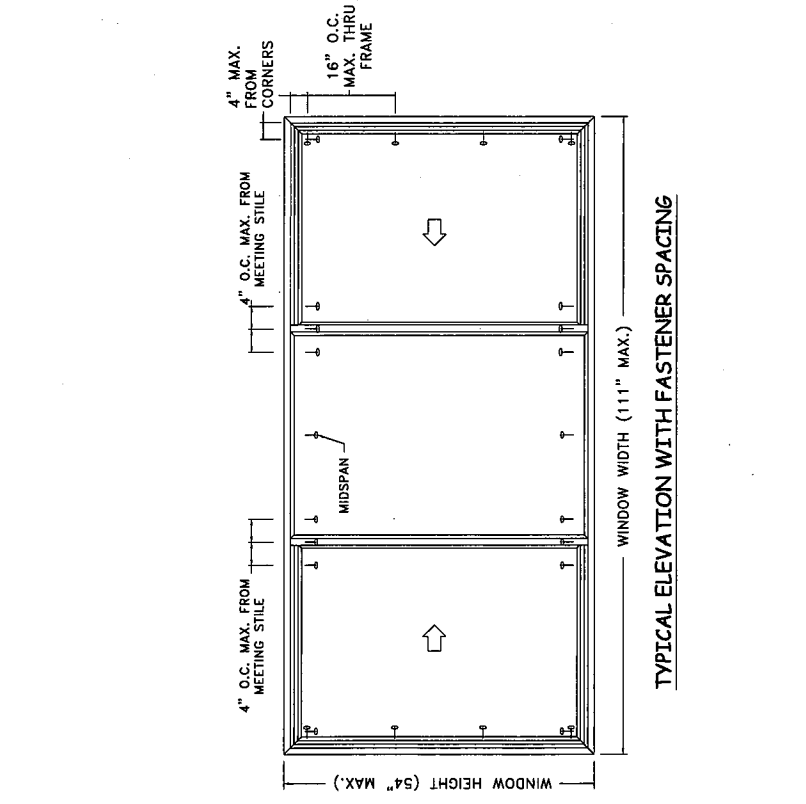
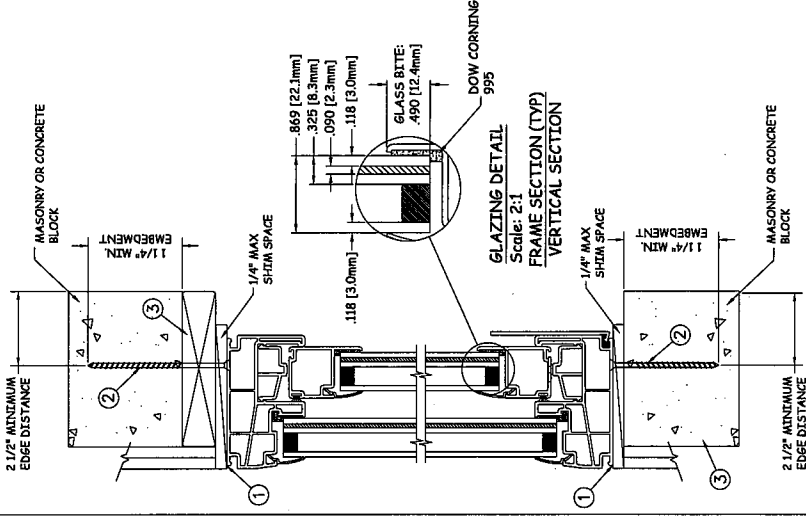
This schedule addresses only the fasteners required to anchor the unit to achieve the rated design pressure and impact performance (where applicable) up to the size limitations noted. It is not intended as a guide to the installation process and does not address the sealing consideration that may arise in different wall conditions. For the complete installation procedure, see the instructions packaged with the unit or go to www.jeld-wen.com.

DISCLAIMER:
This drawing and its contents are confidential and are not to be reproduced or copied in whole or in part or used or disclosed to others except as authorized by JELD-WEN Inc.

MASONRY INSTALLATION



Max Frame	DP RATING IMPACT
111" x 54"	+50/-55
	YES



TYPICAL ELEVATION WITH FASTENER SPACING

General Notes:

- The product shown herein is designed, tested and manufactured to comply with the wind load criteria of the adopted International Building Code(IBC), the International Residential Code(IRC), the Florida Building Code(FBC) including HVHZ and the industry requirement for the stated conditions.
- All glazing shall conform to ASTM E1300.
- At minimum, glazing shall be 3.0mm tempered - 10.8mm airspace - 3.0mm annealed - 2.3mm PVB Interlayer by Kuraray - 3.0mm annealed.
- Use structural or composite shims where required.

Installation Notes:

- Seal flange/frame to substrate. Sill shall be set on a continuous serpentine bead of structural grade silicone caulk when no fastener is used to anchor the sill (typical).
- Use 3/16" Tapcon or other approved 3/16" fasteners through frame with sufficient length to penetrate a minimum of 1 1/4" into concrete or masonry at each location with a 2 1/2" min from edge distance. For concrete (min. f'c = 3000psi) or masonry substrate (CMU shall adhere to ASTM C90).
- Host structure (wood buck, masonry, steel) to be designed and anchored to properly transfer all loads to the structure. The host structure is the responsibility of the architect or engineer of record for the project of installation.

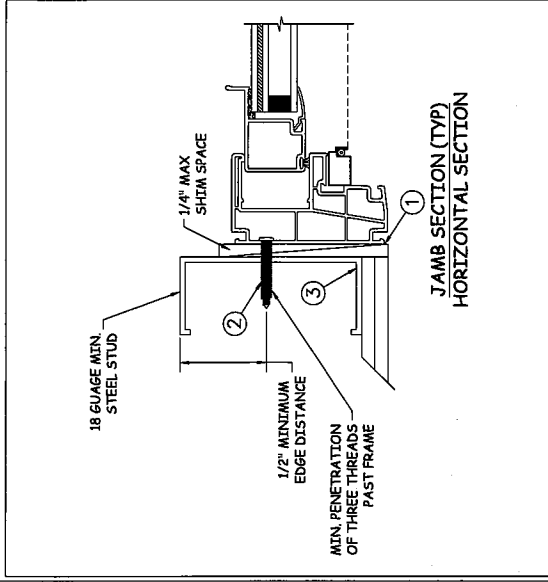
Professional Engineer Seal for Joseph A. Reed, P.E., License No. 56920, State of Florida. Includes date Apr 10, 2019.

DATE:	04/09/2019
SCALE:	NTS
TITLE:	Premium Atlantic Vinyl Impact Horizontal Slider
DRAWN BY:	J.HAWKINS
CHECKED BY:	D.BELAU
APPROVED BY:	J.GOOSSEN
RECORD No.:	D009346
REPORT No.:	NCTL 210-4010-01

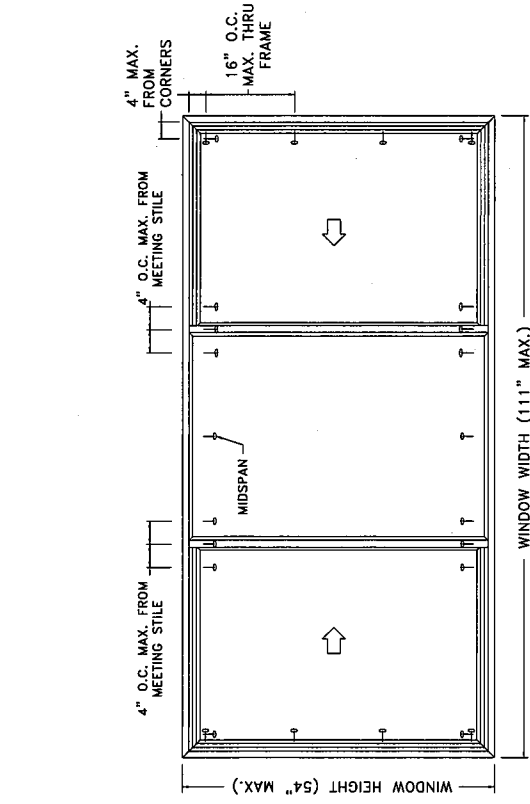
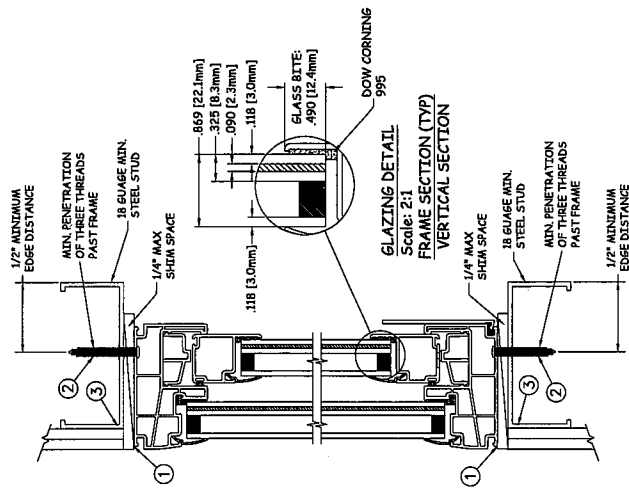
JELDWEN
 3737 Lakeport Blvd
 Klamath Falls, OR. 97601
 Phone: (800) 535-3936

DISCLAIMER:
 This drawing and its contents are confidential and are not to be reproduced or copied in whole or in part or used or disclosed to others except as authorized by JELD-WEN INC.

STEEL INSTALLATION



Max Frame	DP RATING	IMPACT
111" x 54"	+50/-55	YES



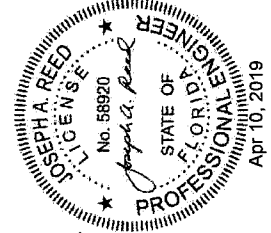
TYPICAL ELEVATION WITH FASTENER SPACING

General Notes:

- The product shown herein is designed, tested and manufactured to comply with the wind load criteria of the adopted International Building Code(IBC), the International Residential Code(IRC), the Florida Building Code(FBC) including HVHZ and the industry requirement for the stated conditions.
- All glazing shall conform to ASTM E1300.
- At minimum, glazing shall be 3.0mm tempered - 10.8mm airspace - 3.0mm annealed - 2.3mm PVB Interlayer by Kuraray - 3.0mm annealed.
- Use structural or composite shims where required.

Installation Notes:

- Seal flange/frame to substrate. Sill shall be set on a continuous serpentine bead of structural grade silicone caulk when no fastener is used to anchor the sill (typical).
- For anchoring into steel framing use #10 TEK Self-drilling screws with sufficient length to achieve a minimum penetration of three threads past the frame thickness. Steel substrate min. 18ga., fy = 33 ksi.
- Host structure (wood buck, masonry, steel) to be designed and anchored to properly transfer all loads to the structure. The host structure is the responsibility of the architect or engineer of record for the project of installation.



JOSEPH A. REED, P.E.
Florida, P.E. No. 58920
5 Leigh Drive
York, PA 17406

This schedule addresses only the fasteners required to anchor the unit to achieve the rated design pressure and impact performance (where applicable) up to the size limitations noted. It is not intended as a guide to the installation process and does not address the sealing consideration that may arise in different wall conditions. For the complete installation procedure, see the instructions packaged with the unit or go to www.jeld-wen.com.

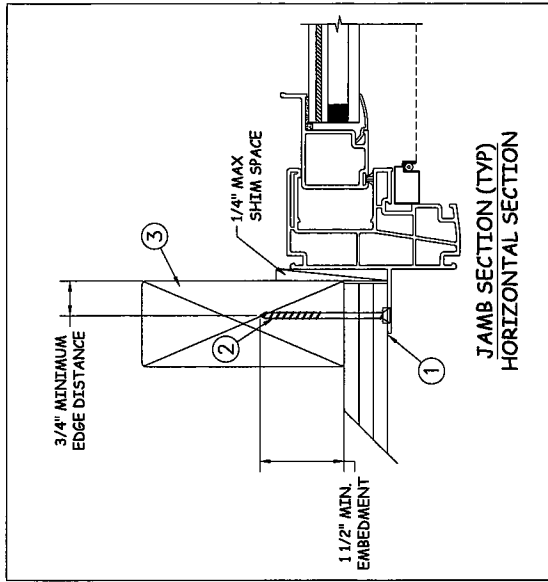
DISCLAIMER:
This drawing and its contents are confidential and are not to be reproduced or copied in whole or in part or used or disclosed to others except as authorized by JELD-WEN Inc.

DATE:	04/09/2019
SCALE:	NTS
TITLE:	
DRAWN BY:	J.HAWKINS
CHECKED BY:	D.BELAU
APPROVED BY:	J.GOOSSEN
RECORD NO.:	D009346
REPORT NO.:	NCTL 210-4010-01

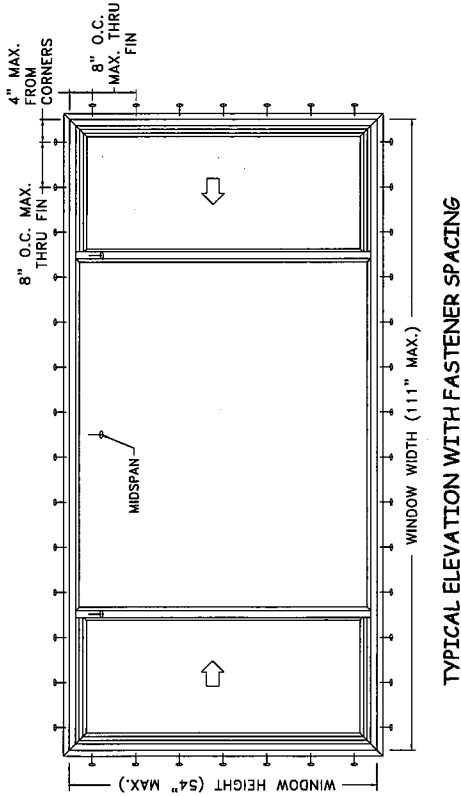
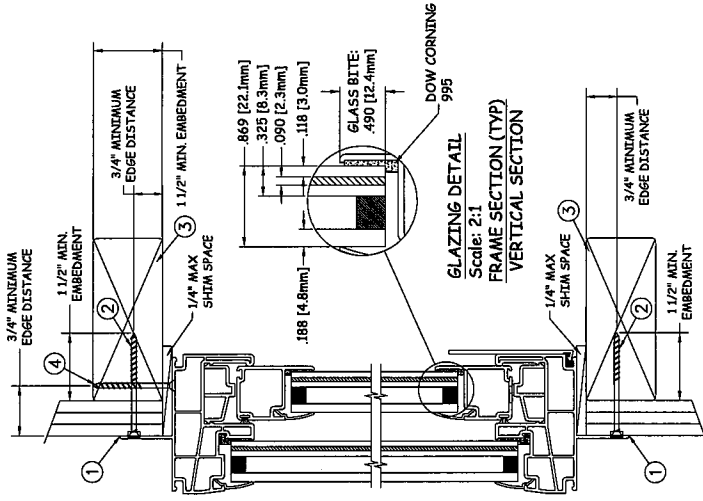
JELD-WEN
3737 Lakeport Blvd
Klamath Falls, OR. 97601
Phone: (800) 535-3936

Premium Atlantic Vinyl Impact Horizontal Slider

NAIL FIN INSTALLATION



Max Frame	DP RATING IMPACT
111" x 54"	+50/-55
	YES

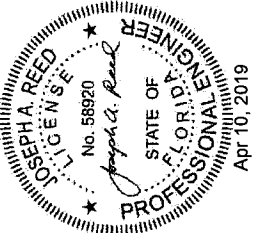


TYPICAL ELEVATION WITH FASTENER SPACING

General Notes:

- The product shown herein is designed, tested and manufactured to comply with the wind load criteria of the adopted International Building Code(IBC), the International Residential Code(IRC), the Florida Building Code(FBC) including HVHZ and the industry requirement for the stated conditions.
- All glazing shall conform to ASTM E1300.
- At minimum, glazing shall be 3.0mm tempered - 10.8mm airspace - 3.0mm annealed - 2.3mm PVB interlayer by Kuraray - 3.0mm annealed.
- Use structural or composite shims where required.

- Installation Notes:**
- Seal flange/frame to substrate. Sill shall be set on a continuous serpentine bead of structural grade silicone caulk when no fastener is used to anchor the sill (typical).
 - Use #10 PH or #12 PH fastener through the nail fin with sufficient length to penetrate a minimum of 1 1/2" into the wood framing. For 2X wood frame substrate (min. S.G. = 0.42).
 - Host structure (wood buck, masonry, steel) to be designed and anchored to properly transfer all loads to the structure. The host structure is the responsibility of the architect or engineer of record for the project of installation.
 - Use 3 - #10 PH or #12 PH fastener through the head jamb with sufficient length to penetrate a minimum of 1 1/2" into the wood framing. One each at meeting stile and one at midspan of stationary sash.



JOSEPH A. REED, P.E.
 Florida, P.E. No. 56920
 5 Leigh Drive
 York, PA 17406

DATE:	04/09/2019
SCALE:	NTS
TITLE:	
DRAWN BY:	J.HAWKINS
CHECKED BY:	D.BELAU
APPROVED BY:	J.GOOSSEN
RECORD NO.:	D009346
REPORT NO.:	NCTL 210-4010-01

JELDWEN 3737 Lakeport Blvd
 Klamath Falls, OR, 97601
 Phone: (800) 535-3936

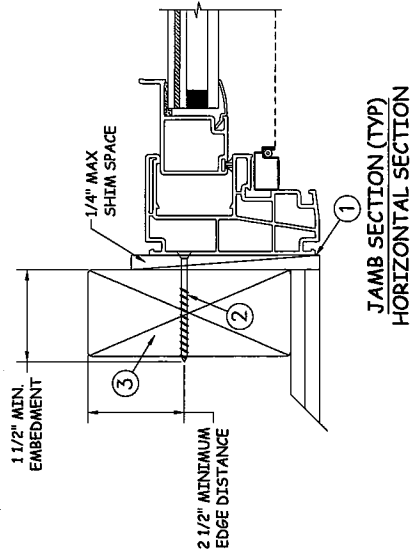
Premium Atlantic Vinyl Impact Horizontal Slider

CAD DWG. No.: Prem/ATL/VinylHS Cert
 REV: A SHEET 1 OF 4

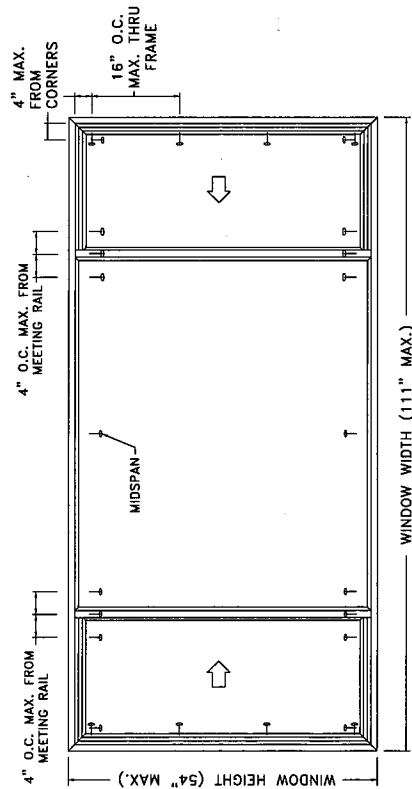
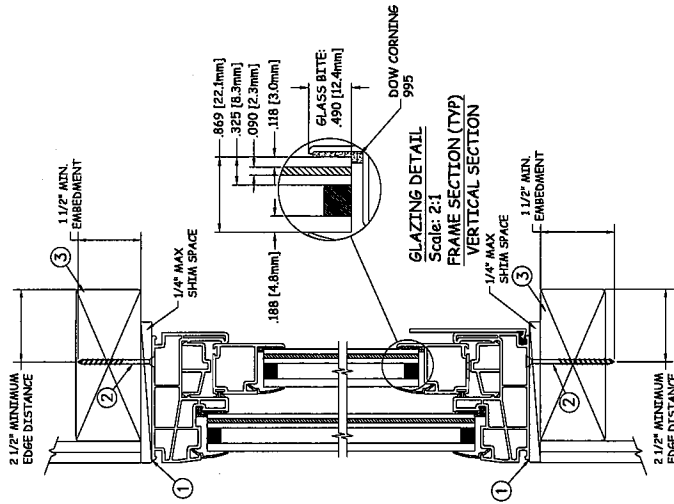
This schedule addresses only the fasteners required to anchor the unit to achieve the rated design pressure and impact performance (where applicable) up to the size limitations noted. It is not intended as a guide to the installation process and does not address the sealing consideration that may arise in different wall conditions. For the complete installation procedure, see the instructions packaged with the unit or go to www.jeld-wen.com.

DISCLAIMER:
 This drawing and its contents are confidential and are not to be reproduced or copied in whole or in part or used or disclosed to others except as authorized by JELD-WEN Inc.

THROUGH FRAME
INSTALLATION



Max Frame	DP RATING IMPACT
111" x 54"	+50/-55
	YES



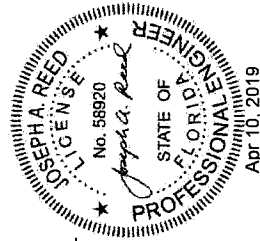
TYPICAL ELEVATION WITH FASTENER SPACING

Installation Notes:

1. Seal flange/frame to substrate. Sill shall be set on a continuous serpentine bead of structural grade silicone caulk when no fastener is used to anchor the sill (typical).
2. Use #10 PH or #12 PH fastener through the jamb with sufficient length to penetrate a minimum of 1 1/2" into the wood framing. For 2X wood frame substrate (min. S.G. = 0.42).
3. Host structure (wood buck, masonry, steel) to be designed and anchored to properly transfer all loads to the structure. The host structure is the responsibility of the architect or engineer of record for the project of installation.

General Notes:

1. The product shown herein is designed, tested and manufactured to comply with the wind load criteria of the adopted International Building Code(IBC), the International Residential Code(IRC), the Florida Building Code(FBC) including HVHZ and the industry requirement for the stated conditions.
2. All glazing shall conform to ASTM E1300.
3. At minimum, glazing shall be 3.0mm tempered - 10.8mm airspace - 3.0mm annealed - 2.3mm PVB Interlayer by Kuraray - 3.0mm annealed.
4. Use structural or composite shims where required.



JOSEPH A. REED, P.E.
Florida, P.E. No. 56920
5 Leigh Drive
York, PA 17406

This schedule addresses only the fasteners required to anchor the unit to achieve the rated design pressure and impact performance (where applicable) up to the size limitations noted. It is not intended as a guide to the installation process and does not address the sealing considerations that may arise in different wall conditions. For the complete installation procedure, see the instructions packaged with the unit or go to www.jeld-wen.com.

DISCLAIMER:
This drawing and its contents are confidential and are not to be reproduced or copied in whole or in part or used or disclosed to others except as authorized by JELD-WEN Inc.

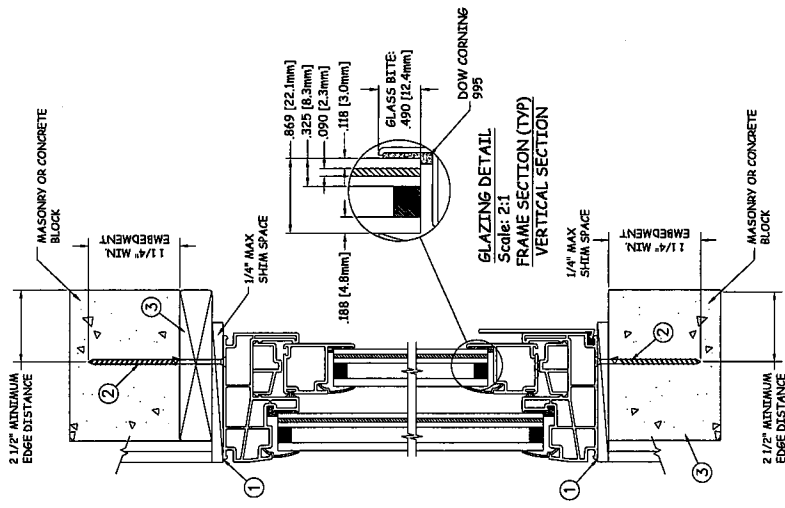
DATE:	04/09/2019
SCALE:	NTS
TITLE:	
DRAWN BY:	J.HAWKINS
CHECKED BY:	D.BELAU
APPROVED BY:	J.GOOSEN
RECORD NO.:	D009346
REPORT NO.:	NCTL 210-4010-01

JELD-WEN
3737 Lakeport Blvd
Klamath Falls, OR. 97601
Phone: (800) 535-3936

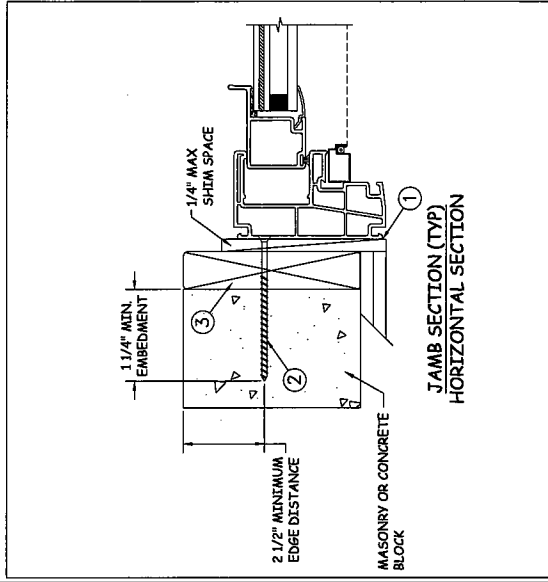
Premium Atlantic Vinyl Impact Horizontal Slider

CAD DWG. No.: PremATL/VinylHS Cert
REV: A
SHEET 2 OF 4

MASONRY INSTALLATION



TYPICAL ELEVATION WITH FASTENER SPACING



JAMB SECTION (TYP)
HORIZONTAL SECTION

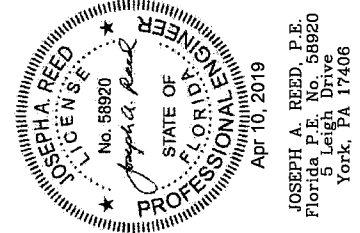
Max Frame	DP RATING IMPACT
111" x 54"	+50/-55
	YES

Installation Notes:

1. Seal flange/frame to substrate. Sill shall be set on a continuous serpentine bead of structural grade silicone caulk when no fastener is used to anchor the sill (typical).
2. Use 3/16" Tapcon or other approved 3/16" fasteners through frame with sufficient length to penetrate a minimum of 1 1/4" into concrete or masonry at each location with a 2 1/2" min from edge distance. For concrete (min. f'c = 3000psi) or masonry substrate (CMU shall adhere to ASTM C90).
3. Host structure (wood buck, masonry, steel) to be designed and anchored to properly transfer all loads to the structure. The host structure is the responsibility of the architect or engineer of record for the project of installation.

General Notes:

1. The product shown herein is designed, tested and manufactured to comply with the wind load criteria of the adopted International Building Code(IBC), the International Residential Code(IRC), the Florida Building Code(FBC) including HVHZ and the industry requirement for the stated conditions.
2. All glazing shall conform to ASTM E1300.
3. At minimum, glazing shall be 3.0mm tempered - 10.8mm airspace - 3.0mm annealed - 2.3mm PVB interlayer by Kuraray - 3.0mm annealed.
4. Use structural or composite sills where required.



DATE:	04/09/2019
SCALE:	NTS
TITLE:	
DRAWN BY:	J.HAWKINS
CHECKED BY:	D.BELAU
APPROVED BY:	J.GOOSSEN
RECORD NO.:	D009346
REPORT NO.:	NCTL 210-4010-01

JELDWEN
3737 Lakeport Blvd
Klamath Falls, OR. 97601
Phone: (800) 535-3936

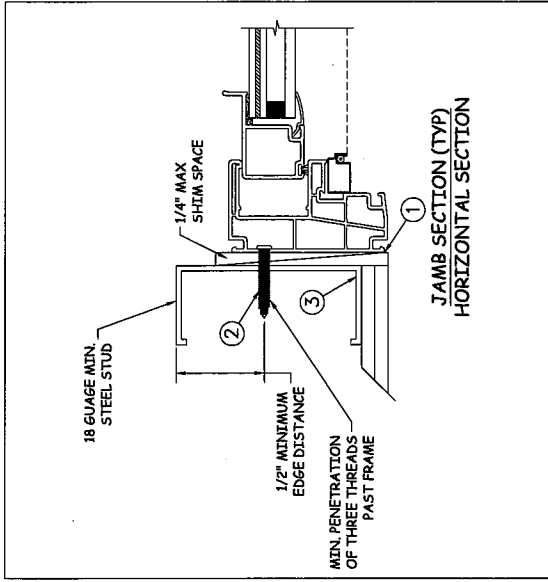
Premium Atlantic Vinyl Impact Horizontal Slider

CAD DWG. No.: PremATL/nyh/HS Cert
REV: A
SHEET 3 OF 4

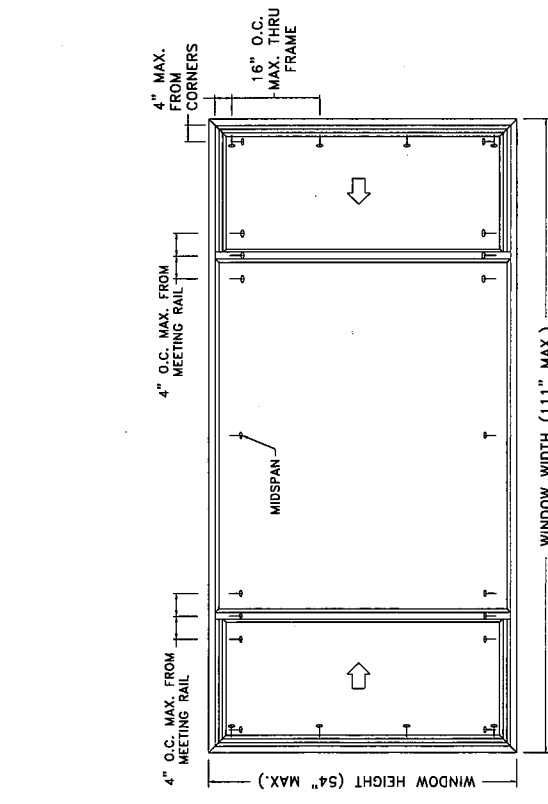
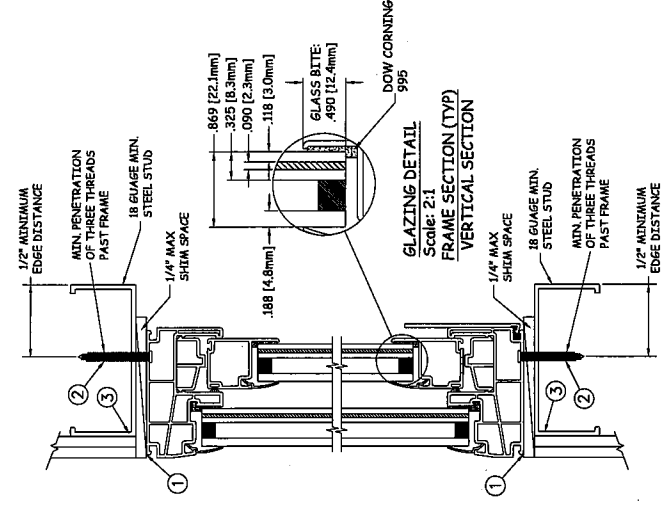
This schedule addresses only the fasteners required to anchor the unit to achieve the rated design pressure and impact performance (where applicable) up to the size limitations noted. It is not intended as a guide to the installation process and does not address the sealing consideration that may arise in different wall conditions. For the complete installation procedure, see the instructions packaged with the unit or go to www.jeld-wen.com.

DISCLAIMER:
This drawing and its contents are confidential and are not to be reproduced or copied in whole or in part or used or disclosed to others except as authorized by JELD-WEN Inc.

STEEL INSTALLATION



Max Frame	DP RATING IMPACT
111" x 54"	+50/-55
	YES



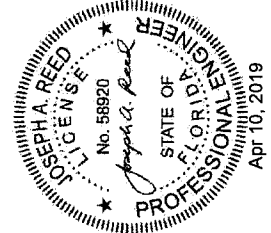
TYPICAL ELEVATION WITH FASTENER SPACING

General Notes:

- The product shown herein is designed, tested and manufactured to comply with the wind load criteria of the adopted International Building Code(IBC), the International Residential Code(IRC), the Florida Building Code(FBC) including HVHZ and the industry requirement for the stated conditions.
- All glazing shall conform to ASTM E1300.
- At minimum, glazing shall be 3.0mm tempered - 10.8mm airspace - 3.0mm annealed - 2.3mm PVB interlayer by Kuraray - 3.0mm annealed.
- Use structural or composite shims where required.

Installation Notes:

- Seal flange/frame to substrate. Sill shall be set on a continuous serpentine bead of structural grade silicone caulk when no fastener is used to anchor the sill (typical).
- For anchoring into steel framing use #10 TEK Self-drilling screws with sufficient length to achieve a minimum penetration of three threads past the frame thickness. Steel substrate min. 18ga., fy = 33 ksi.
- Host structure (wood buck, masonry, steel) to be designed and anchored to properly transfer all loads to the structure. The host structure is the responsibility of the architect or engineer of record for the project of installation.



JOSEPH A. REED, P.E.
Florida P.E. No. 58920
5 Leigh Drive
York, PA 17406

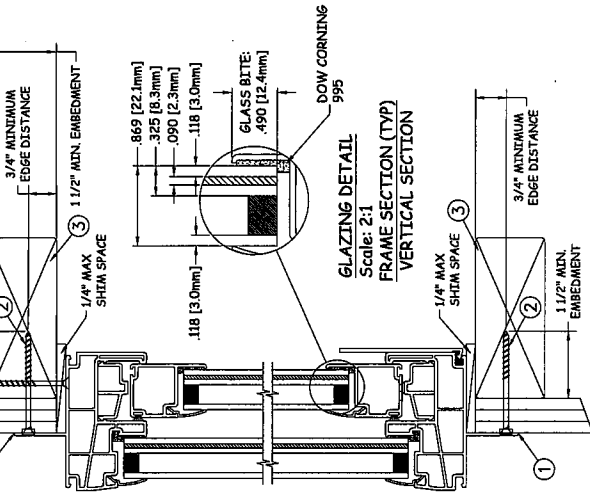
This schedule addresses only the fasteners required to anchor the unit to achieve the rated design pressure and impact performance (where applicable) up to the size limitations noted. It is not intended as a guide to the installation process and does not address the sealing consideration that may arise in different wall conditions. For the complete installation procedure, see the instructions packaged with the unit or go to www.jeld-wen.com.

DISCLAIMER:
This drawing and its contents are confidential and are not to be reproduced or copied in whole or in part or used or disclosed to others except as authorized by JELD-WEN Inc.

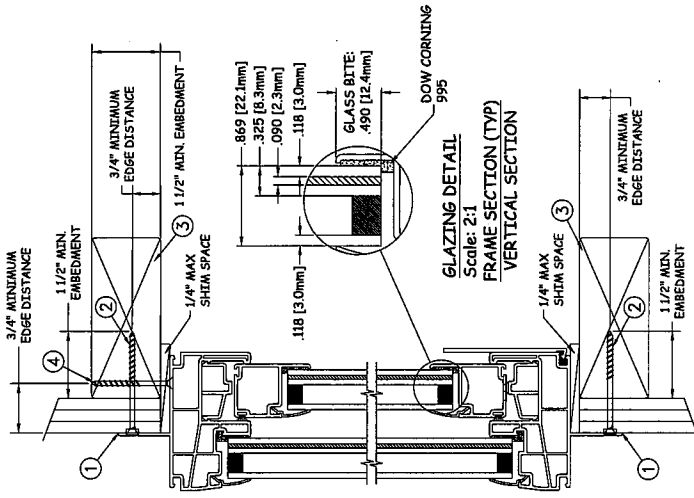
DATE:	04/09/2019
SCALE:	NTS
TITLE:	Premium Atlantic Vinyl Impact Horizontal Slider
DRAWN BY:	J.HAWKINS
CHECKED BY:	D.BELAU
APPROVED BY:	J.GOOSSEN
RECORD NO.:	D009346
REPORT NO.:	NCTL 210-4010-01

JELD-WEN
3737 Lakeport Blvd
Klamath Falls, OR. 97601
Phone: (800) 535-3936

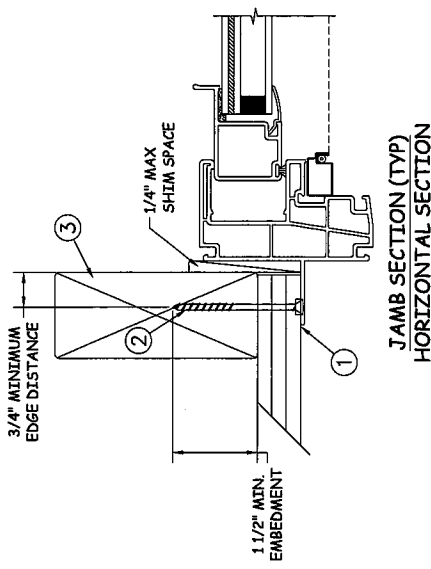
NAIL FIN INSTALLATION



TYPICAL ELEVATION WITH FASTENER SPACING



GLAZING DETAIL
Scale: 2:1
FRAME SECTION (TYP)
VERTICAL SECTION



JAMB SECTION (TYP)
HORIZONTAL SECTION

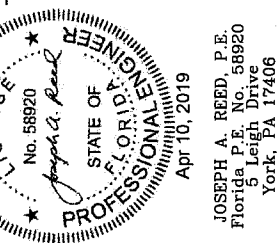
Max Frame	DP RATING IMPACT
111" x 54"	+50/-55
	YES

Installation Notes:

1. Seal flange/frame to substrate. Sill shall be set on a continuous serpentine bead of structural grade silicone caulk when no fastener is used to anchor the sill (typical).
2. Use #10 PH or #12 PH fastener through the nail fin with sufficient length to penetrate a minimum of 1 1/2" into the wood framing. For 2X wood frame substrate (min. S.G. = 0.42).
3. Host structure (wood buck, masonry, steel) to be designed and anchored to properly transfer all loads to the structure. The host structure is the responsibility of the architect or engineer of record for the project of installation.
4. Use 3 - #10 PH or #12 PH fastener through the head jamb with sufficient length to penetrate a minimum of 1 1/2" into the wood framing. One each at meeting stile and one at midspan of stationary sash.

General Notes:

1. The product shown herein is designed, tested and manufactured to comply with the wind load criteria of the adopted International Building Code(IBC), the International Residential Code(IRC), the Florida Building Code(FBC) including HVFZ and the industry requirement for the stated conditions.
2. All glazing shall conform to ASTM E1300.
3. At minimum, glazing shall be 3.0mm tempered - 10.8mm airspace - 3.0mm annealed - 2.3mm SG Interlayer by Kuraray - 3.0mm annealed.
4. Use structural or composite shims where required.



JOSEPH A. REED, P.E.
Florida, P.E. No. 58920
5 Leigh Drive
York, PA 17406

DATE:	04/09/2019
SCALE:	NTS
TITLE:	
DRAWN BY:	J.HAWKINS
CHECKED BY:	D.BELAU
APPROVED BY:	J.GOOSSEN
RECORD NO.:	D009346
REPORT NO.:	NCTL 210-4010-01

JELDWEN 3737 Lakeport Blvd
Klamath Falls, OR. 97601
Phone: (800) 535-3936

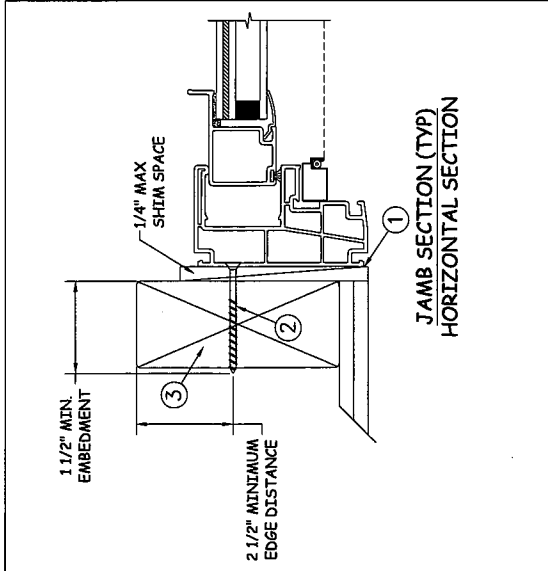
Premium Atlantic Vinyl Impact Horizontal Slider

CAD DWG. No.: PremATL/VinylHS Cert
REV: A SHEET 1 OF 4

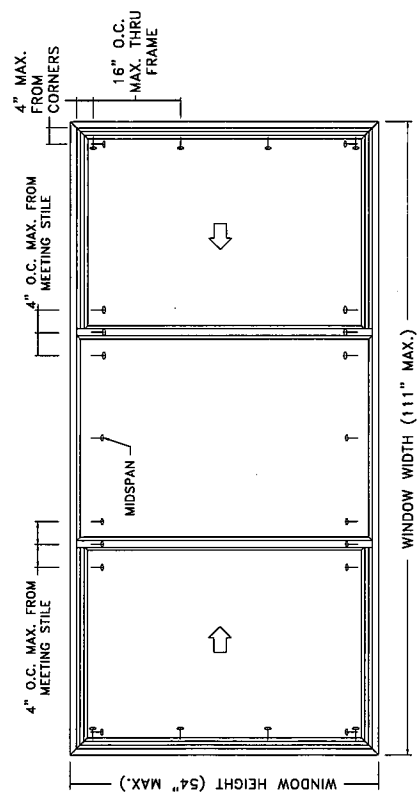
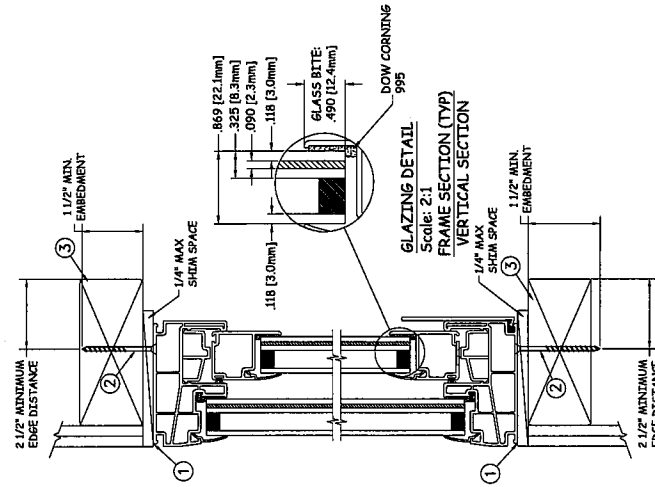
This schedule addresses only the fasteners required to anchor the unit to achieve the rated design pressure and impact performance (where applicable) up to the size limitations noted. It is not intended as a guide to the installation process and does not address the sealing consideration that may arise in different wall conditions. For the complete installation procedure, see the instructions packaged with the unit or go to www.jeld-wen.com.

DISCLAIMER:
This drawing and its contents are confidential and are not to be reproduced or copied in whole or in part or used or disclosed to others except as authorized by JELD-WEN Inc.

THROUGH FRAME
INSTALLATION



Max Frame	DP RATING IMPACT
111" x 54"	+50/-55
	YES



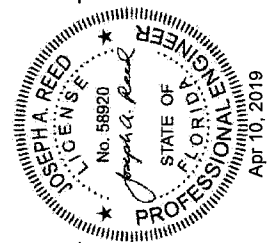
TYPICAL ELEVATION WITH FASTENER SPACING

Installation Notes:

1. Seal flange/frame to substrate. Sill shall be set on a continuous serpentine bead of structural grade silicone caulk when no fastener is used to anchor the sill (typical).
2. Use #10 PH or #12 PH fastener through the jamb with sufficient length to penetrate a minimum of 1 1/2" into the wood framing. For 2X wood frame substrate (min. S.G. = 0.42).
3. Host structure (wood buck, masonry, steel) to be designed and anchored to properly transfer all loads to the structure. The host structure is the responsibility of the architect or engineer of record for the project of installation.

General Notes:

1. The product shown herein is designed, tested and manufactured to comply with the wind load criteria of the adopted International Building Code(IBC), the International Residential Code(IRC), the Florida Building Code(FBC) including HVHZ and the industry requirement for the stated conditions.
2. All glazing shall conform to ASTM E1300.
3. At minimum, glazing shall be 3.0mm tempered - 10.8mm airspace - 3.0mm annealed - 2.3mm SGP Interlayer by Kuraray - 3.0mm annealed.
4. Use structural or composite shims where required.



JOSEPH A. REED, P.E.
Florida P.E. No. 58920
5 Leigh Drive
York, PA 17406

DATE:	04/09/2019
SCALE:	NTS
TITLE:	Premium Atlantic Vinyl Impact Horizontal Slider
DRAWN BY:	J.HAWKINS
CHECKED BY:	D.BELAU
APPROVED BY:	J.GOOSSEN
RECORD NO.:	D009346
REPORT NO.:	NCTL 210-4010-01

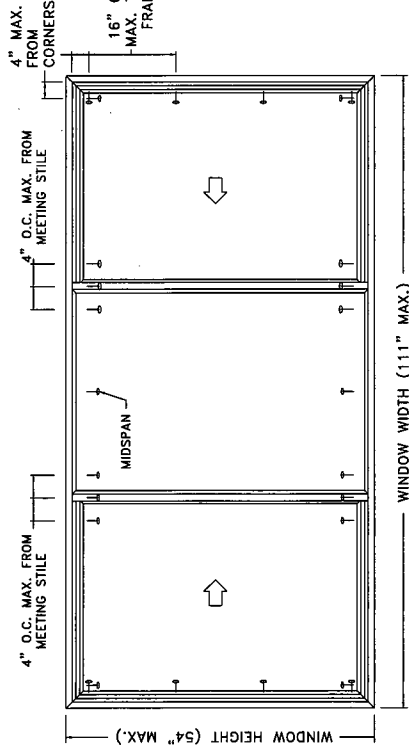
JELDWEN
3737 Lakeport Blvd
Klamath Falls, OR. 97601
Phone: (800) 535-3936

CAD DWG. No.:	PremATLVinylHS Cert
REV:	A
SHEET	2 OF 4

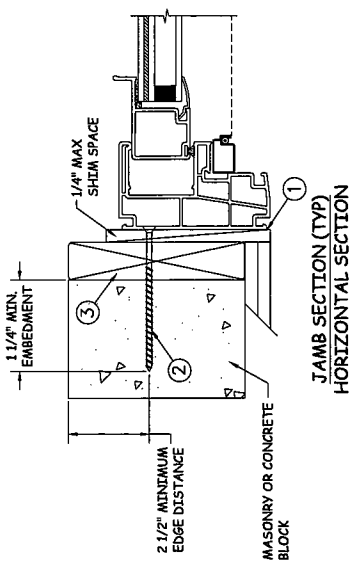
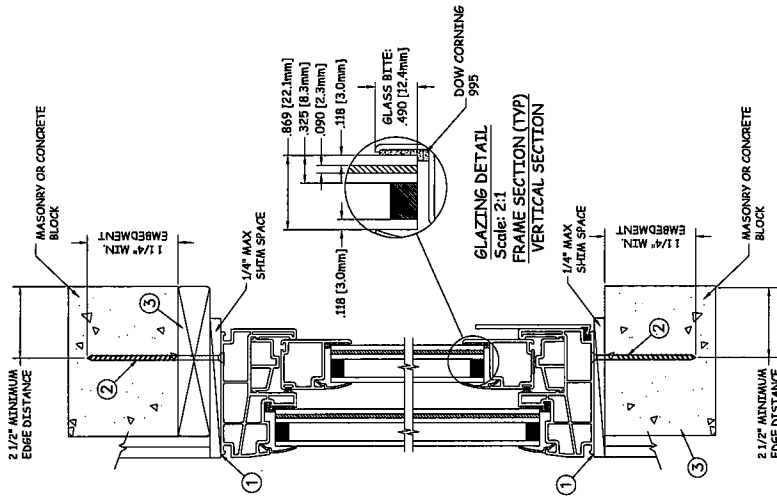
This schedule addresses only the fasteners required to anchor the unit to achieve the rated design pressure and impact performance (where applicable) up to the size limitations noted. It is not intended as a guide to the installation process and does not address the sealing consideration that may arise in different wall conditions. For the complete installation procedure, see the instructions packaged with the unit or go to www.jeld-wen.com.

DISCLAIMER:
This drawing and its contents are confidential and are not to be reproduced or copied in whole or in part or used or disclosed to others except as authorized by JELD-WEN Inc.

MASONRY INSTALLATION



TYPICAL ELEVATION WITH FASTENER SPACING



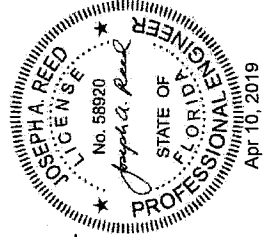
Max Frame	DP RATING IMPACT
111" x 54"	+50/-55
	YES

Installation Notes:

- Seal flange/frame to substrate. Sill shall be set on a continuous serpentine bead of structural grade silicone caulk when no fastener is used to anchor the sill (typical).
- Use 3/16" Tapcon or other approved 3/16" fasteners through frame with sufficient length to penetrate a minimum of 1 1/4" into concrete or masonry at each location with a 2 1/2" min from edge distance. For concrete (min. f_c = 3000psi) or masonry substrate (CMU shall adhere to ASTM C90).
- Host structure (wood buck, masonry, steel) to be designed and anchored to properly transfer all loads to the structure. The host structure is the responsibility of the architect or engineer of record for the project of installation.

General Notes:

- The product shown herein is designed, tested and manufactured to comply with the wind load criteria of the adopted International Building Code(IBC), the International Residential Code(IRC), the Florida Building Code(FBC) including HVHZ and the industry requirement for the stated conditions.
- All glazing shall conform to ASTM E1300.
- At minimum, glazing shall be 3.0mm tempered - 10.8mm airspace - 3.0mm annealed - 2.3mm SG interlayer by Kuraray - 3.0mm annealed.
- Use structural or composite shims where required.



JOSEPH A. REED, P.E.
Florida, P.E. No. 58920
5 Leigh Drive
York, PA 17406

This schedule addresses only the fasteners required to anchor the unit to achieve the rated design pressure and impact performance (where applicable) up to the size limitations noted. It is not intended as a guide to the installation process and does not address the sealing consideration that may arise in different wall conditions. For the complete installation procedure, see the instructions packaged with the unit or go to www.jeld-wen.com.

DISCLAIMER:
This drawing and its contents are confidential and are not to be reproduced or copied in whole or in part or used or disclosed to others except as authorized by JELD-WEN Inc.

DATE:	04/09/2019
SCALE:	NTS
TITLE:	Premium Atlantic Vinyl Impact Horizontal Slider
DRAWN BY:	J.HAWKINS
CHECKED BY:	D.BELAU
APPROVED BY:	J.GOOSSEN
RECORD NO.:	D009346
REPORT NO.:	NCTL 210-4010-01

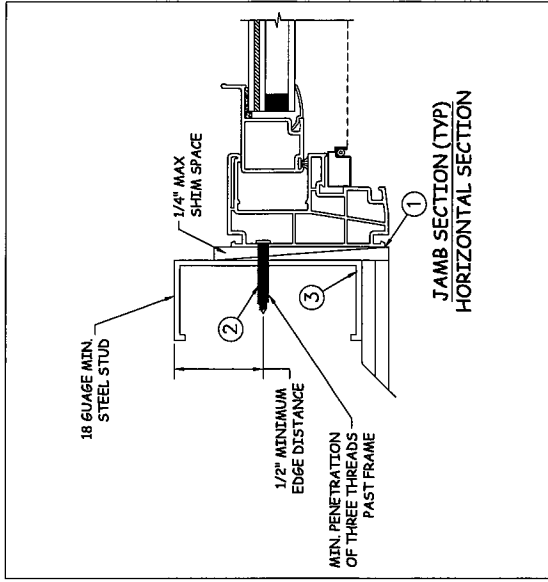
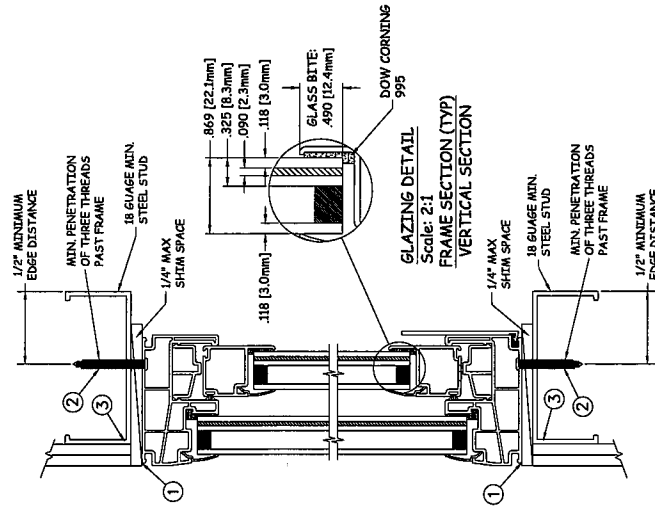
JELD-WEN
3737 Lakeport Blvd
Klamath Falls, OR. 97601
Phone: (800) 535-3936

CAD DWG. No.:
PremATLVinylHS Cert

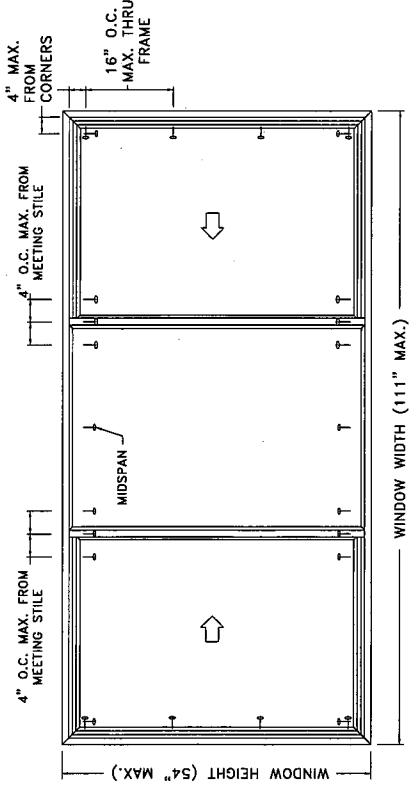
REV: A

SHEET 3 OF 4

STEEL INSTALLATION



Max Frame	DP RATING IMPACT
111" x 54"	+50/-55
	YES



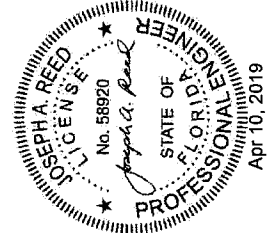
TYPICAL ELEVATION WITH FASTENER SPACING

Installation Notes:

1. Seal flange/frame to substrate. Sill shall be set on a continuous serpentine bead of structural grade silicone caulk when no fastener is used to anchor the sill (typical).
2. For anchoring into steel framing use #10 TEK Self-drilling screws with sufficient length to achieve a minimum penetration of three threads past the frame thickness. Steel substrate min. 18ga., fy = 33 ksi.
3. Host structure (wood buck, masonry, steel) to be designed and anchored to properly transfer all loads to the structure. The host structure is the responsibility of the architect or engineer of record for the project of installation.

General Notes:

1. The product shown herein is designed, tested and manufactured to comply with the wind load criteria of the adopted International Building Code(IBC), the International Residential Code(IRC), the Florida Building Code(FBC) including HVHZ and the industry requirement for the stated conditions.
2. All glazing shall conform to ASTM E1300.
3. At minimum, glazing shall be 3.0mm tempered - 10.8mm airspace - 3.0mm annealed - 2.3mm SGF interlayer by Kuraray - 3.0mm annealed.
4. Use structural or composite shims where required.



JOSEPH A. REED, P.E.
Florida P.E. No. 58920
5 Leigh Drive
York, PA 17406

DATE:	04/09/2019
SCALE:	NTS
TITLE:	Premium Atlantic Vinyl Impact Horizontal Slider
DRAWN BY:	J.HAWKINS
CHECKED BY:	D.BELAU
APPROVED BY:	J.GOOSEN
RECORD NO.:	D009346
REPORT NO.:	NCTL 210-4010-01

JELDEN
3737 Lakeport Blvd
Klamath Falls, OR. 97601
Phone: (800) 535-9936

Premium Atlantic Vinyl Impact Horizontal Slider

CAD DWG. No.:
PremATLVinylHS Cert

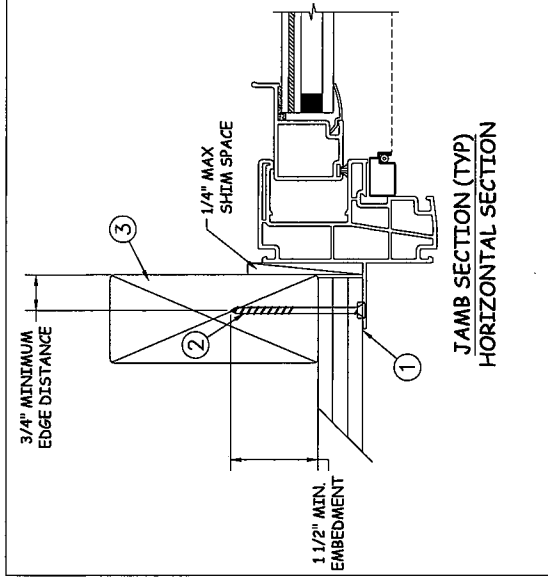
REV: A

SHEET 4 OF 4

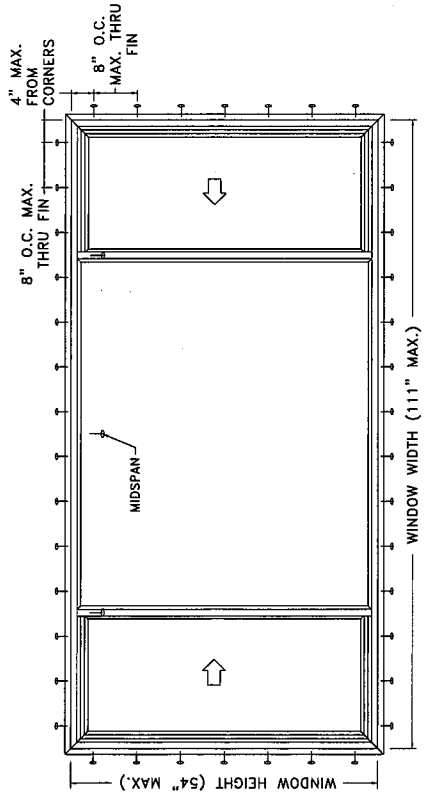
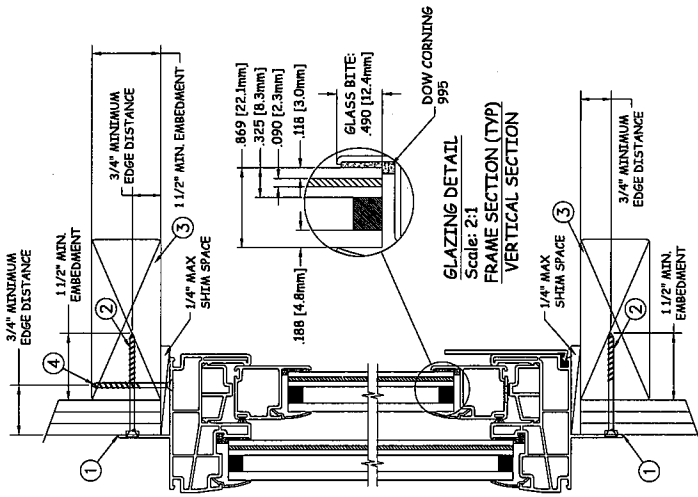
This schedule addresses only the fasteners required to anchor the unit to achieve the rated design pressure and impact performance (where applicable) up to the size limitations noted. It is not intended as a guide to the installation process and does not address the sealing consideration that may arise in different wall conditions. For the complete installation procedure, see the instructions packaged with the unit or go to www.jeld-wen.com.

DISCLAIMER:
This drawing and its contents are confidential and are not to be reproduced or copied in whole or in part or used or disclosed to others except as authorized by JELD-WEN Inc.

NAIL FIN INSTALLATION



Max Frame	DP RATING	IMPACT
111" x 54"	+50/-55	YES



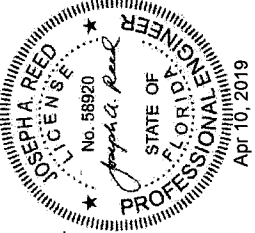
TYPICAL ELEVATION WITH FASTENER SPACING

Installation Notes:

1. Seal flange/frame to substrate. Sill shall be set on a continuous serpentine bead of structural grade silicone caulk when no fastener is used to anchor the sill (typical).
2. Use #10 PH or #12 PH fastener though the nail fin with sufficient length to penetrate a minimum of 1 1/2" into the wood framing. For 2X wood frame substrate (min. S.G. = 0.42).
3. Host structure (wood buck, masonry, steel) to be designed and anchored to properly transfer all loads to the structure. The host structure is the responsibility of the architect or engineer of record for the project of installation.
4. Use 3 - #10 PH or #12 PH fastener through the head jamb with sufficient length to penetrate a minimum of 1 1/2" into the wood framing. One each at meeting stile and one at midspan of stationary sash.

General Notes:

1. The product shown herein is designed, tested and manufactured to comply with the wind load criteria of the adopted International Building Code(IBC), the International Residential Code(IRC), the Florida Building Code(FBC) including HVHZ and the industry requirement for the stated conditions.
2. All glazing shall conform to ASTM E1300.
3. At minimum, glazing shall be 3.0mm tempered - 10.8mm airspace - 3.0mm annealed - 2.3mm SG Interlayer by Kuraray - 3.0mm annealed.
4. Use structural or composite slims where required.



JOSEPH A. REED, P.E.
Florida P.E. No. 58920
5 Leigh Drive
York, PA 17406

DATE:	04/09/2019
SCALE:	NTS
TITLE:	
DRAWN BY:	J.HAWKINS
CHECKED BY:	D.BELAU
APPROVED BY:	J.GOOSSEN
RECORD NO.:	D009346
REPORT NO.:	NCTL 210-4010-01

JELDWEN
3737 Lakeport Blvd
Klamath Falls, OR. 97601
Phone: (800) 535-3936

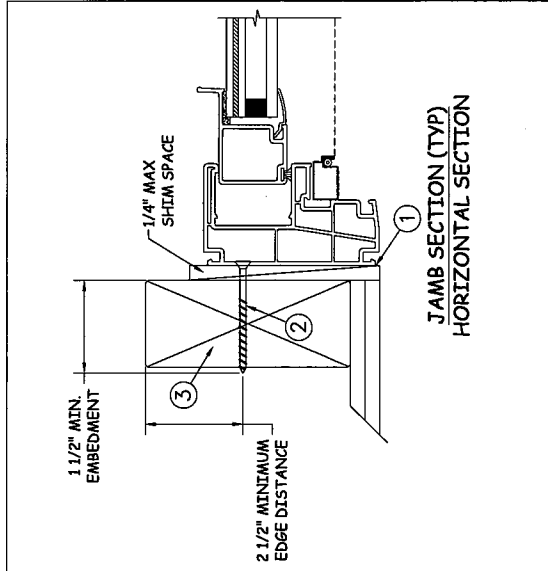
Premium Atlantic Vinyl Impact Horizontal Slider

CAD DWG. No.: PremATL/VmlyHS Cert
REV: A
SHEET 1 OF 4

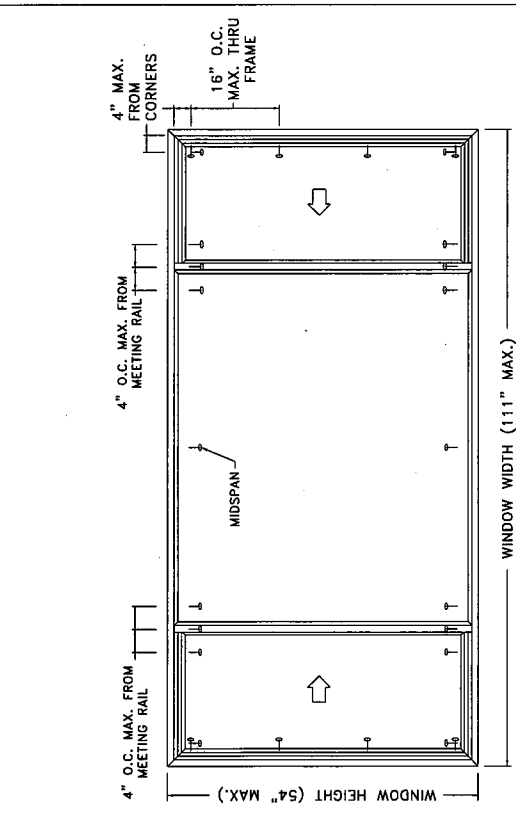
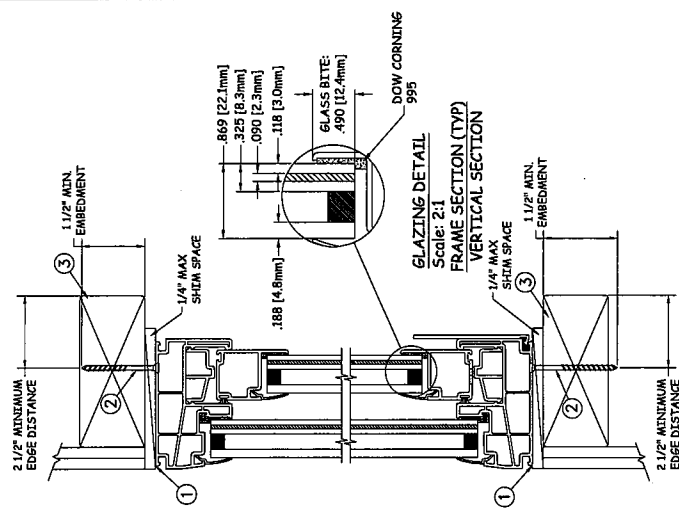
This schedule addresses only the fasteners required to anchor the unit to achieve the rated design pressure and impact performance (where applicable) up to the size limitations noted. It is not intended as a guide to the installation process and does not address the sealing consideration that may arise in different wall conditions. For the complete installation procedure, see the instructions packaged with the unit or go to www.jeld-wen.com.

DISCLAIMER:
This drawing and its contents are confidential and are not to be reproduced or copied in whole or in part or used or disclosed to others except as authorized by JELD-WEN Inc.

THROUGH FRAME
INSTALLATION



Max Frame	DP RATING IMPACT
111" x 54"	+50/-55
	YES



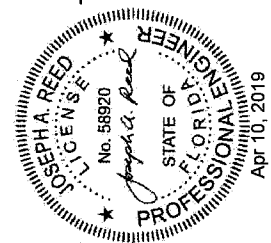
TYPICAL ELEVATION WITH FASTENER SPACING

Installation Notes:

1. Seal flange/frame to substrate. Sill shall be set on a continuous serpentine head of structural grade silicone caulk when no fastener is used to anchor the sill (typical).
2. Use #10 PH or #12 PH fastener through the jamb with sufficient length to penetrate a minimum of 1 1/2" into the wood framing. For 2X wood frame substrate (min. S.G. = 0.42).
3. Host structure (wood buck, masonry, steel) to be designed and anchored to properly transfer all loads to the structure. The host structure is the responsibility of the architect or engineer of record for the project of installation.

General Notes:

1. The product shown herein is designed, tested and manufactured to comply with the wind load criteria of the adopted International Building Code(IBC), the International Residential Code(IRC), the Florida Building Code(FBC) including HVHZ and the industry requirement for the stated conditions.
2. All glazing shall conform to ASTM E1300.
3. At minimum, glazing shall be 3.0mm tempered - 10.8mm airspace - 3.0mm annealed - 2.3mm SGP Interlayer by Kuraray - 3.0mm annealed.
4. Use structural or composite sisms where required.



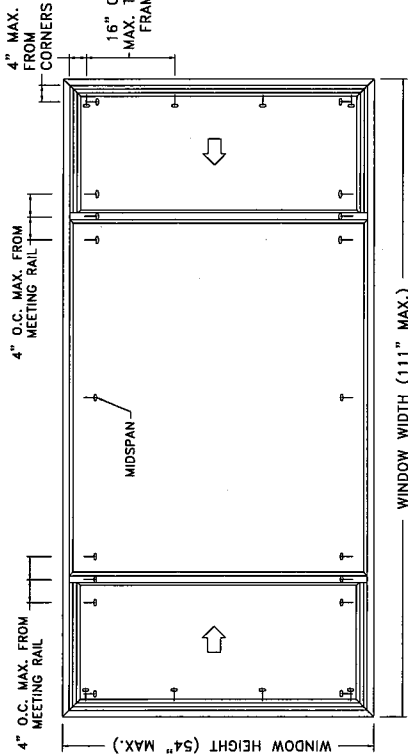
JOSEPH A. REED, P.E.
Florida, P.E. No. 58920
5 Leigh Drive
York, PA 17406

DATE:	04/09/2019	SCALE:	NTS	TITLE:	
DRAWN BY:	J.HAWKINS	CHECKED BY:	D.BELAU	APPROVED BY:	J.GOOSEN
RECORD NO.:	D009346	REPORT NO.:	NCTL 210-4010-01	CAD DWG. No.:	PremATL/vny/HS Cert
JELD-WEN			3737 Lakeport Blvd Klamath Falls, OR. 97601 Phone: (800) 535-3936		
Premium Atlantic Vinyl Impact Horizontal Slider			SHEET 2 OF 4		

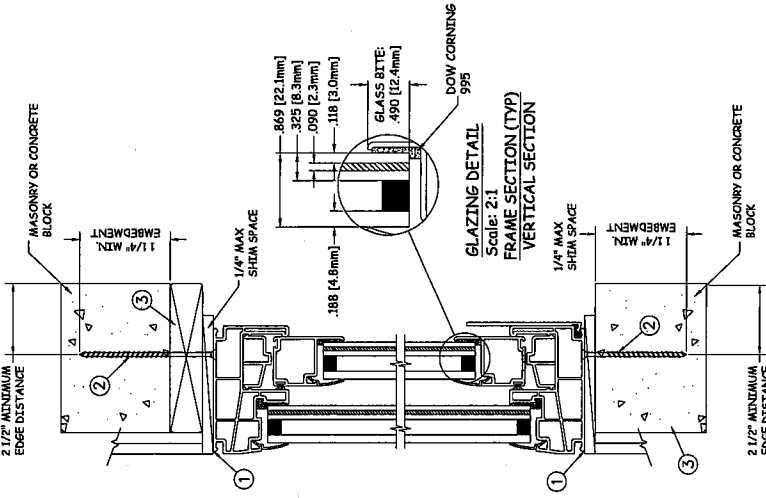
This schedule addresses only the fasteners required to anchor the unit to achieve the rated design pressure and impact performance (where applicable) up to the size limitations noted. It is not intended as a guide to the installation process and does not address the sealing consideration that may arise in different wall conditions. For the complete installation procedure, see the instructions packaged with the unit or go to www.jeld-wen.com.

DISCLAIMER:
This drawing and its contents are confidential and are not to be reproduced or copied in whole or in part or used or disclosed to others except as authorized by JELD-WEN Inc.

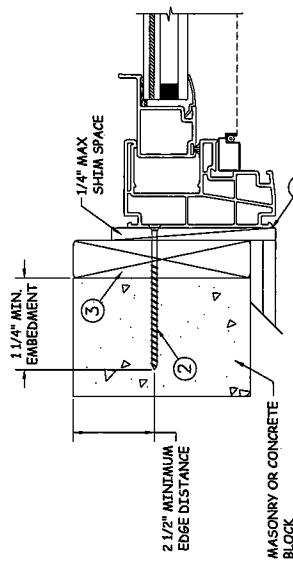
MASONRY INSTALLATION



TYPICAL ELEVATION WITH FASTENER SPACING



JAMB SECTION (TYP) HORIZONTAL SECTION



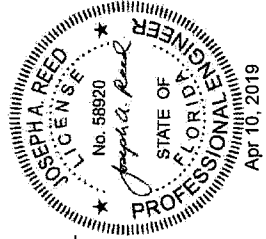
Max Frame	DP RATING IMPACT
111" x 54"	+50/-55
	YES

Installation Notes:

- Seal flange/frame to substrate. Sill shall be set on a continuous serpentine bead of structural grade silicone caulk when no fastener is used to anchor the sill (typical).
- Use 3/16" Tapcon or other approved 3/16" fasteners through frame with sufficient length to penetrate a minimum of 1 1/4" into concrete or masonry at each location with a 2 1/2" min from edge distance. For concrete (min. f_c = 3000psi) or masonry substrate (CMU shall adhere to ASTM C90).
- Host structure (wood buck, masonry, steel) to be designed and anchored to properly transfer all loads to the structure. The host structure is the responsibility of the architect or engineer of record for the project of installation.

General Notes:

- The product shown herein is designed, tested and manufactured to comply with the wind load criteria of the adopted International Building Code(IBC), the International Residential Code(IRC), the Florida Building Code(FBC) including HVHZ and the industry requirement for the stated conditions.
- All glazing shall conform to ASTM E1300.
- At minimum, glazing shall be 3.0mm tempered - 10.8mm airspace - 3.0mm annealed - 2.3mm SGP interlayer by Kuraray - 3.0mm annealed.
- Use structural or composite shims where required.



JOSEPH A. REED, P.E.
Florida, P.E. No. 58920
5 Leigh Drive
York, PA 17406

DATE:	04/09/2019
SCALE:	NTS
TITLE:	
DRAWN BY:	J.HAWKINS
CHECKED BY:	D.BELAU
APPROVED BY:	J.GOOSSEN
RECORD No.:	D009346
REPORT No.:	NCTL 210-4010-01

JELDWEN
3737 Lakeport Blvd
Klamath Falls, OR. 97601
Phone: (800) 535-3936

Premium Atlantic Vinyl Impact Horizontal Slider

DISCLAIMER:

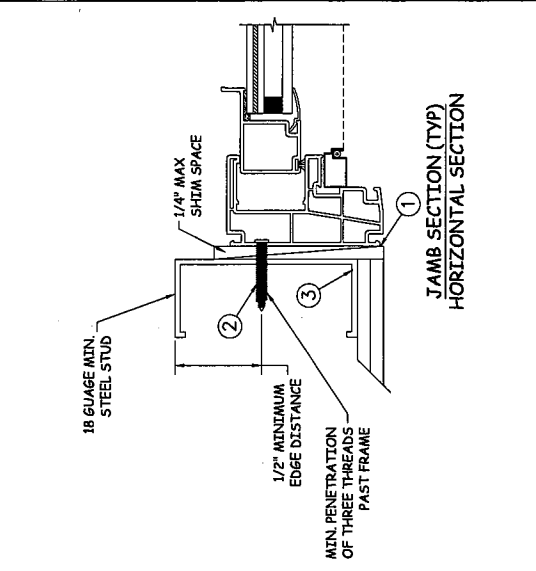
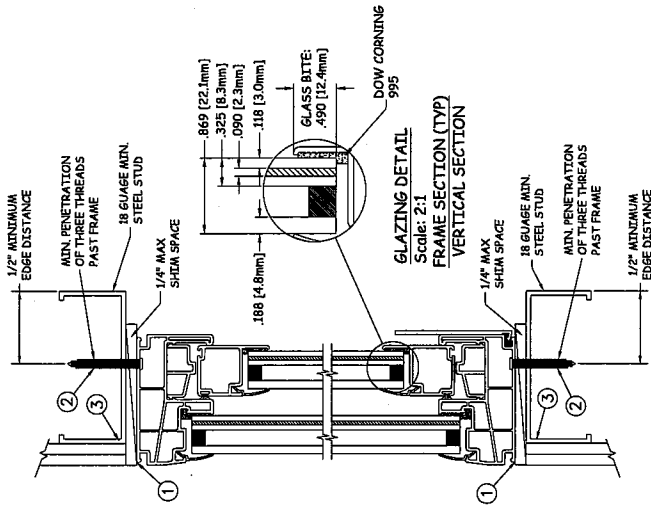
This drawing and its contents are confidential and are not to be reproduced or copied in whole or in part or used or disclosed to others except as authorized by JELD-WEN Inc.

CAD DWG. No.:
PremATLVinylHS Cert

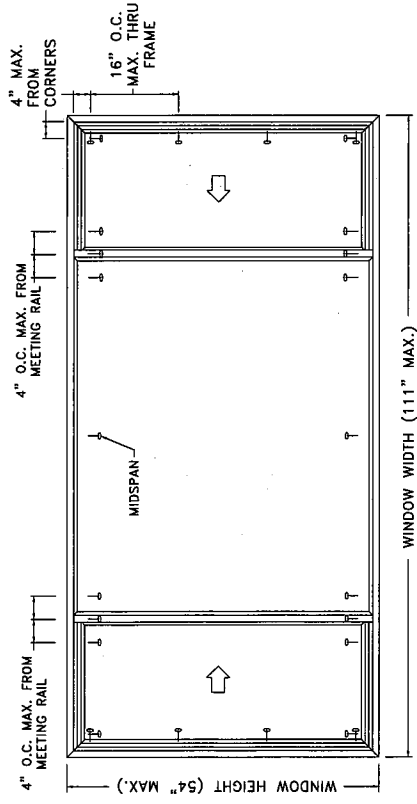
REV: A

SHEET 3 OF 4

STEEL INSTALLATION



Max Frame	DP RATING IMPACT
111" x 54"	+50/-55
	YES



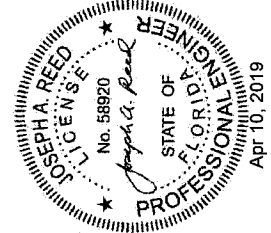
TYPICAL ELEVATION WITH FASTENER SPACING

Installation Notes:

1. Seal flange/frame to substrate. Sill shall be set on a continuous serpentine bead of structural grade silicone caulk when no fastener is used to anchor the sill (typical).
2. For anchoring into steel framing use #10 TEK Self-drilling screws with sufficient length to achieve a minimum penetration of three threads past the frame thickness. Steel substrate min. 18ga., fy = 33 ksi.
3. Host structure (wood buck, masonry, steel) to be designed and anchored to properly transfer all loads to the structure. The host structure is the responsibility of the architect or engineer of record for the project of installation.

General Notes:

1. The product shown herein is designed, tested and manufactured to comply with the wind load criteria of the adopted International Building Code(IBC), the International Residential Code(IRC), the Florida Building Code(FBC) including HVHZ and the industry requirement for the stated conditions.
2. All glazing shall conform to ASTM E1300.
3. At minimum, glazing shall be 3.0mm tempered - 10.8mm airspace - 3.0mm annealed - 2.3mm SGP interlayer by Kuraray - 3.0mm annealed.
4. Use structural or composite sills where required.



JOSEPH A. REED, P.E.
Florida P.E. No. 58920
5 Leigh Drive
York, PA 17406

DATE:	04/09/2019
SCALE:	NTS
TITLE:	
DRAWN BY:	J.HAWKINS
CHECKED BY:	D.BELAU
APPROVED BY:	J.GOOSSEN
RECORD NO.:	D009346
REPORT NO.:	NCTL 210-4010-01

JELDWEN
3737 Lakeport Blvd
Klamath Falls, OR. 97601
Phone: (800) 535-3936

Premium Atlantic Vinyl Impact Horizontal Slider

CAD DWG. No.: PremATLVinylHS Cert
REV: A
SHEET 4 OF 4

This schedule addresses only the fasteners required to anchor the unit to achieve the rated design pressure and impact performance (where applicable) up to the size limitations noted. It is not intended as a guide to the installation process and does not address the sealing consideration that may arise in different wall conditions. For the complete installation procedure, see the instructions packaged with the unit or go to www.jeld-wen.com.

DISCLAIMER:
This drawing and its contents are confidential and are not to be reproduced or copied in whole or in part or used or disclosed to others except as authorized by JELD-WEN Inc.